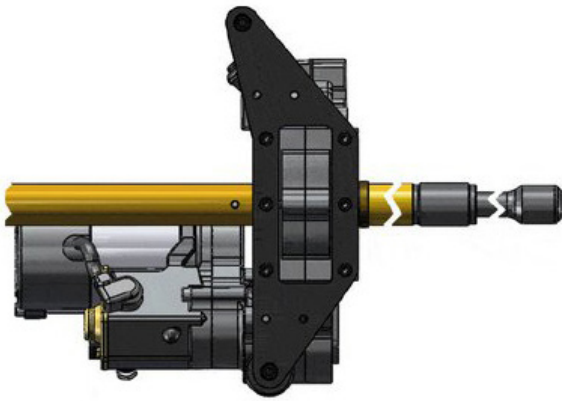




Formula 2 and GP2 | Off Car Starter

Formula 2 and GP2 Off Car Starter, designed, developed and manufactured in-house at our Ark Racing Limited., It is made to the highest standards using high-grade steel and aluminium. Developed and made to professional motorsport standards, providing excellent starting performance, endurance and reliability for today's driver. With a power rating of 2.0 kW (Japanese International Standard), (12 Volts - 24 Volts)

This Ark Racing Off Car Starter is not only suitable for F2 but also suitable for *GP2



Suitable for: Formula 2 and *GP2 2011 onwards.

SYSTEM OF ENGAGEMENT: Positive Shift Drive

RATED TIME: 30 Sec

NOMINAL SYSTEM VOLTAGE: 12V

FREE SPIN (Unloaded condition) Input Voltage 11.5V

Current 100 AMPS STARTER SPEED 4000 RPM MIN

RUN DOWNTIME: 3 sec, min

TORQUE: Torque 18.7 N-m (1.7 kgf - m) MIN

CURRENT 800 AMPS MAX VOLTAGE: 2.4V

PULL-IN VOLTAGE: 8V MAX AT 20C

PULL-IN CURRENT: 50 AMPS MAX

HOLD-IN CURRENT: 15 AMPS MAX

DROP-OUT VOLTAGE: 4V MAX AT 20C

ENGAGEMENT SPRING CHECK VOLTAGE: 8V AT 20C

OPERATING TEMPERATURE RANGE: -30C to +120C

The main cable resistance from the battery to the starter, including earth return, shall not exceed 0.002 OHMS at 20C.

The wiring harness feeding the solenoid winding, including all operating switches shall have a resistance no greater than 0.05 OHMS at 20C.

The recommended (12V Nom) Battery for this starter is one which has an initial terminal voltage of 7.6V when supplying a current of 400 AMPS at 20C.

MATERIAL: Steel Casing /Aluminium Adapter Plate

KILOWATTS: 2.0 kW

VOLTAGE: 12 Volts

DIRECTION: Clockwise / Anti-Clockwise

APPLICATION NOTES:

Signal Cable to terminal 50 MUST BE 2.5 mm² CSA (Minimum Cross-Sectional Area) Including supply to starter switch.

Main Cable to terminal 30 (8mm stud) **MUST BE:**

*25 mm² CSA OR GREATER

(For Cable Lengths Less than 1.5 metres) OR

*35 mm² CSA OR GREATER

(For Cable Lengths greater than 1.5 metres) **STALL**

Battery CCA (Cold Cranking Capability) **MUST BE AT LEAST 650A**

For ALL Applications.

If 24V is being used then two batteries of the above specification to be wired in series for maximum performance.

Ark Racing Limited **ONLY USES HIGH QUALITY** Denso / Nippon Denso parts.

LEGAL: All designs and products are the Intellectual Property of Ark Racing Ltd. Not for distribution without prior written permission.

Please contact us for details or to place an order. Ark Racing can create a solution to meet your requirements. Ark Racing also provides **BESPOKE BATTERY TROLLEYS** contact us for details!

www.arkracing.com

Ark Racing Limited., Ark Racing Building, Croft Street, Willenhall, West Midlands WV13 2NU

T: **+44 (0)845 557 7408**